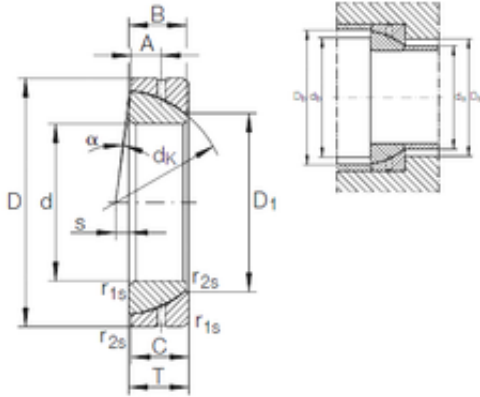




ROULEMENTS?BEARINGS?Limited

INA GE 35 SX plain bearings



GE 35 SX Bearing 2D drawings and 3D CAD models

Bearing No. GE 35 SX

Size	35x62x18 mm
Bore Diameter	35 mm
Outer Diameter	62 mm
Width	18 mm
d	35 mm
D	62 mm
T	18 mm
B	17 mm
C	17 mm
dk	56 mm
r1 min.	1 mm
r2 min.	0,3 mm
A	9 mm
D1	42,4 mm
S	2 mm
da max	41,1 mm
Da min	47 mm
db min	50 mm
Db min.	57 mm
Angle	2,1 °
Weight	0,27 Kg
Basic dynamic load rating (C)	78,5 kN